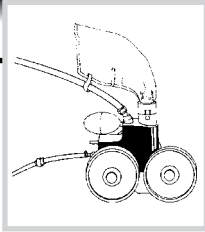
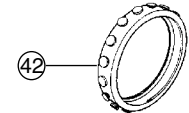
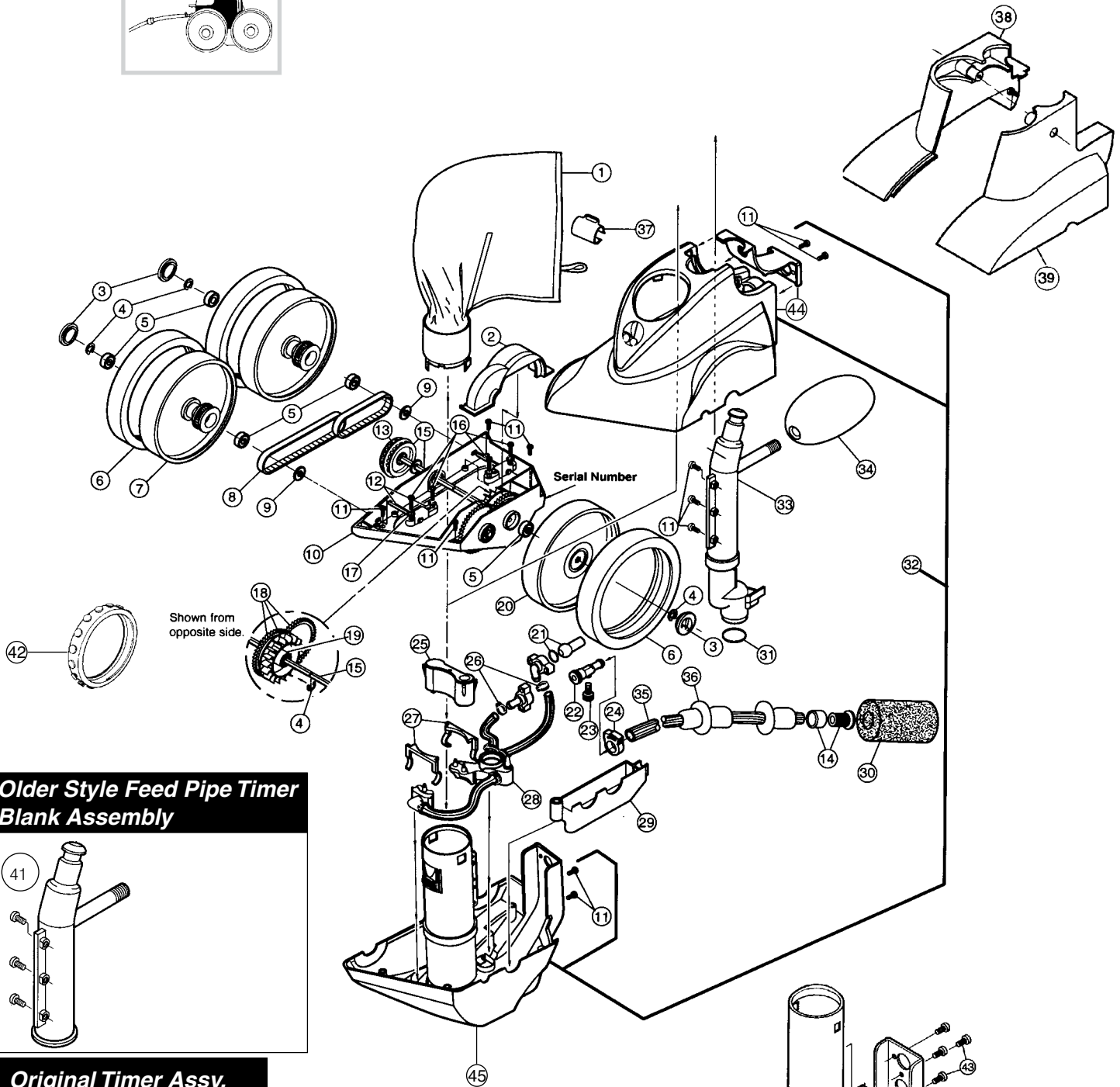


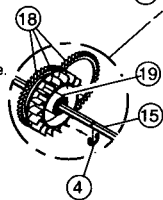
HEAD PARTS DETAIL



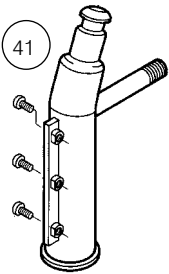
SEE PG B-87
FOR BLACK MAX PARTS



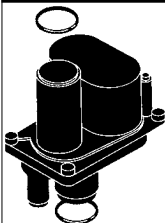
Shown from
opposite side.



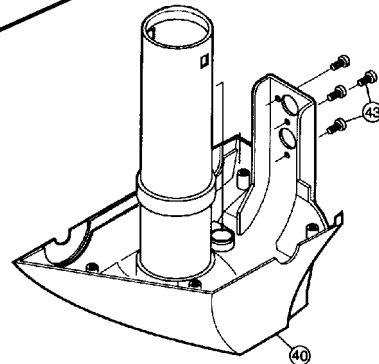
Older Style Feed Pipe Timer Blank Assembly

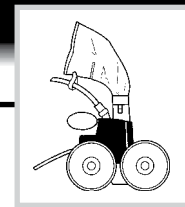


Original Timer Assy.



Original Timer
(as shown here)
should be replaced
with Complete
Conversion Kit
#3264-03





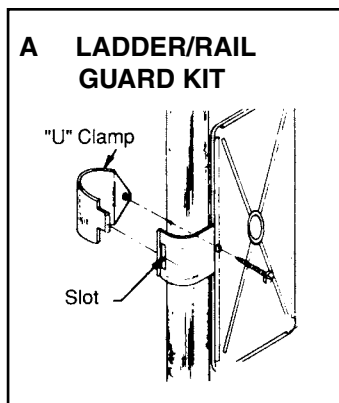
KEY	ITEM #	DESCRIPTION	MFG. #
1	3260-G045	DISPOSABLE SAND/SILT BAGS (PKG 4)	G45
1	3263-01	BAG, ALL PURPOSE	9-100-1014
1	3263-02	BAG, LEAF	9-100-1012
1	3263-011	BAG, SAND/SILT ULTRA FINE	9-100-1015
1	3263-140	ALL PURPOSE ZIPPERED BAG	9-100-1021
1	3263-40	DISPOSABLE ALL-PURPOSE (PKG 3) (LTD QTY)	9-100-1013
1	3263-401	DISPOSABLE FILTER BAG WITHOUT COLLAR (PKG OF 3)	9-100-1023
1	3263-402	DISPOSABLE FILTER BAG WITH COLLAR (PKG OF 3)	9-100-1024
2	3263-04	HOUSING, UPPER TURBINE	9-100-1152
3	3260-07	HUB CAP	9-100-1114
4	3260-08	E- CLIP, WHEEL	9-100-5107
5	3260-09	BALL BEARING	9-100-1108
6	3260-C010	TIRE, MAX TRAX	C10
6	3260-C012	TIRE, KRAYTON	C12
6	3260-C013	TIRE, POSITRAX F/ FIBERGLASS & TILE POOLS	C13
7	3263-10	WHEEL, DOUBLE SIDE	9-100-1008
8	3263-125	BELT KIT, SMALL AND LARGE,	9-100-1017
9	3263-71	BEARING, SHIELD	9-100-7011
10	EXCHANGE	EXCHANGE FRAME, CONTACT MFG	9-100-1005
11	3263-133	SCREW	9-100-5125
12	3263-72	AXLE BLOCK ASSY.	9-100-1139
13	3263-87	BELT DIVIDER, TRANSFER PULLEY	9-100-1010
14	3260-B025	ORIFICE TIP AND GUARD	B25
15	3263-83	PULLEY, TRANSFER-DRIVE SHAFT	9-100-1007
16	3263-51	SCREW	9-100-5115
17	3260-14	LOCK WASHER AXLE BLOCK	9-100-5130
18	3263-86	GEAR KIT,DRIVE TRAIN	9-100-1132
19	3264-20	TURBINE WHEEL W/BEARING	9-100-1103
20	3263-12	WHEEL, SINGLE SIDE	9-100-1116
21	3260-C131	THRUST JET REPAIR KIT	C131
22	3263-76	SWEEP HOSE BARB.	9-100-7008

KEY	ITEM #	DESCRIPTION	MFG. #
23	3260-B020	SCREW, ADJUSTMENT	B20
24	3260-B015	CLAMP, SWEEP HOSE	B15
25	3260-13	BASE WEIGHT	9-100-9004
26	3263-88	CLAMP, HOSE F/WATER MGMNT.SYST.	9-100-7170
27	3263-75	RETAINER, JET	9-100-7009
28	3263-79	WATER MGMT. SYSTEM	9-100-7010
29	3263-16	HOUSING, LOWER TURBINE	9-100-1155
30	3260-10	SCRUBBER, SWEEP TAIL	9-100-3105
31	3263-14	O-RING, EACH	9-100-5132
32	3263-126	TOP & BASE ASSY	9-100-7030
33	3263-80A	FEED PIPE W/TIMER BLANK	9-100-7003
34	3260-A020	FLOAT, HEAD	A20
35	3260-B005	HOSE, SWEEP- COMPLETE	B5
36	3260-B010	RING, WEAR	B10
37	3260-15	BAG COLLAR	9-100-1018
38	REPLACE	NLA COVER REP W/ 3263-126	9-100-1141
39	REPLACE	NLA COVER REP W/ 3263-126	9-100-1140
40	REPLACE	NLA BASE ASSY REP W/ 3263-126	9-100-7012
41	3263-80	FEED PIPE	9-100-7004
42	3260-C013	TIRE, POSITRAX F/FIBERGLASS, & TILE POOLS	C13
43	3263-52	SCREW	9-100-5117
44	3263-130	TOP ASSY	9-100-1240
45	3263-136	BOTTOM ASSY	9-100-7026
*	3260-B002	WEIGHT, SWEEP HOSE	B2
*	3262-0	HOSE, FEED COMPLETE	G5
*	3261-0	INSTALLATION KIT, OVER DECK	G12
*	3263-91	TUNE-UP KIT	9-100-9010
*	3264-03	CONVERSION KIT, EVERYTHING NEEDED TO CONVERT IN-HEAD BACK-UP VALVE WITH IN-HOSE BACK-UP VALVE ASSEMBLY.	9-100-9040

* NOT SHOWN

POLARIS 360/380 - KITS

LADDER/RAIL, TUNE UP and REBUILD KITS



B FACTORY REBUILD KIT - 380 Only

Qty	Mfg#	Description	Qty	Mfg#	Description
1	A20	Float, Head	1	9-100-1116	Wheel, Single-side
1	B5	Sweep Hose Complete	1	9-100-1132	Drive Train Gear Kit with Turbine Bearing
1	B15	Sweep Hose Attach Clamp	1	9-100-1152	Housing, Turbine Upper
1	B20	Adjustment Screw, Sweep Hose	1	9-100-1155	Housing, Turbine Lower
3	C10	Tire, White	10	9-100-5107	E-clip, Stainless Steel
1	C131	Thrust Jet Kit	1	9-100-7003	Feed Pipe/Timer Blank Assembly
1	G52	Back-up Valve Kit	1	9-100-7008	Sweep Hose Barb Complete
1	9-100-1007	Transfer Pulley/Drive Shaft Assembly	2	9-100-7009	Jet Retainer
2	9-100-1008	Wheel, Double-side	1	9-100-7010	Water Management System
1	9-100-1014	All Purpose Bag	3	9-100-7011	Shield, Bearing
1	9-100-1017	Belt Kit, Small and Large	1	9-100-9004	Base Weight
8	9-100-1108	Ball Bearing			
3	9-100-1114	Hub Cap			
1	9-100-7030	Top & Base Assy			
2	9-100-1130	Axle Block Kit			

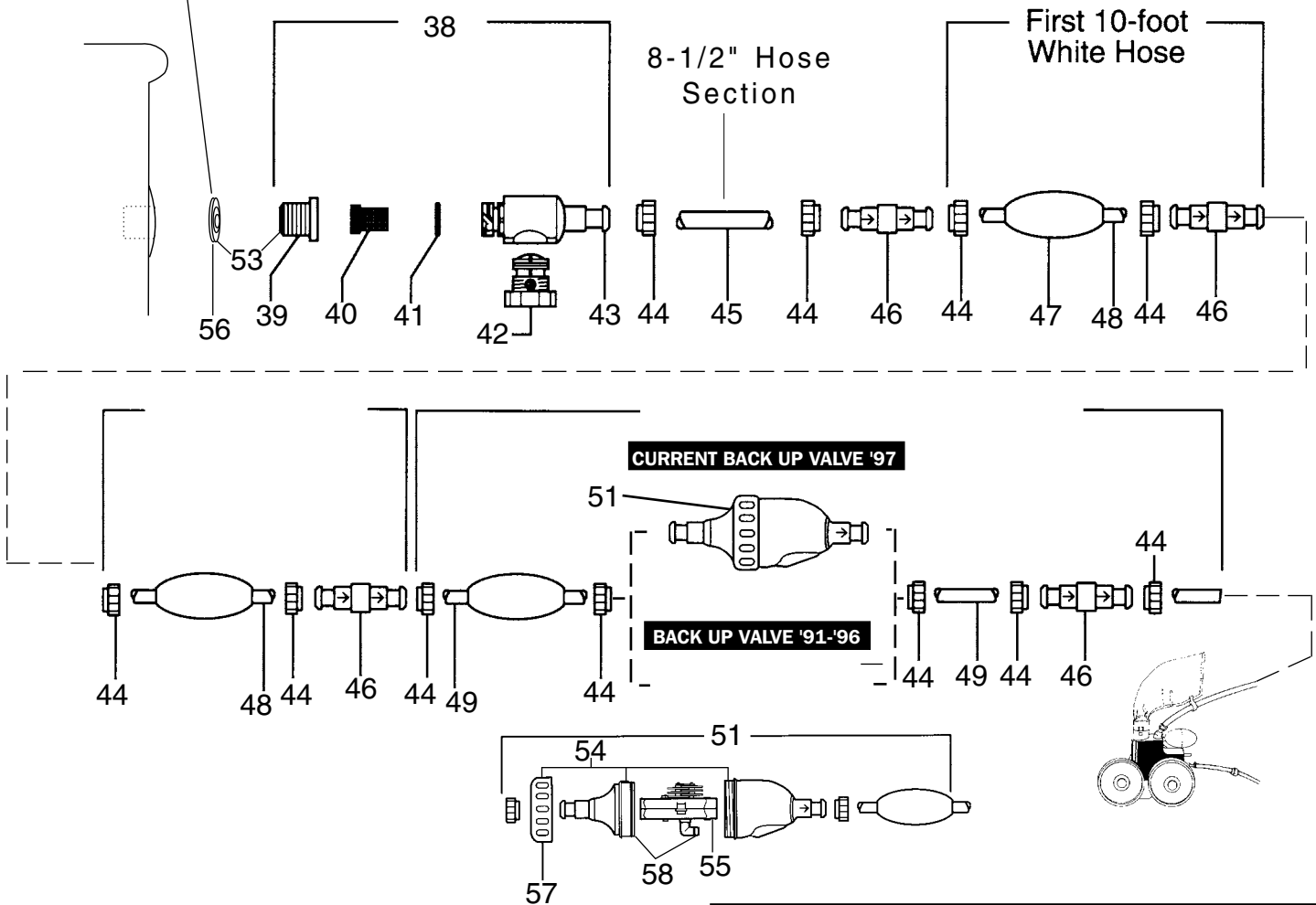
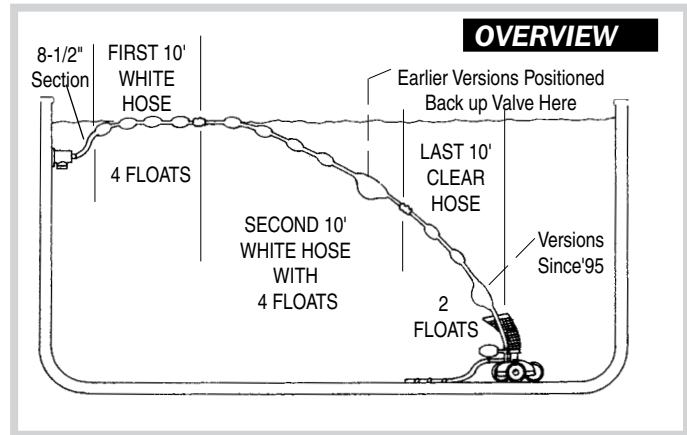
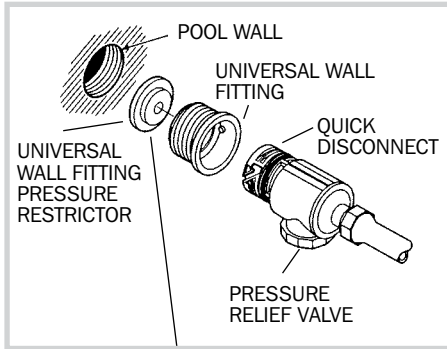
C TUNE UP KIT 360/380

Qty	Mfg#	Description
3	C10	Tire, White
1	9-100-1007	Transfer Pulley/Drive Shaft Assembly
2	9-100-1008	Wheel, Double-side
1	9-100-1014	All Purpose Bag
1	9-100-1017	Belt Kit, Small and Large
8	9-100-1108	Ball Bearing
3	9-100-1114	Hub Cap
1	9-100-1116	Wheel, Single-side
1	9-100-1132	Drive Train Gear Kit
2	9-100-1139	Axle Block Assembly
1	9-100-1152	Housing, Turbine Upper
1	9-100-3105	Sweep Hose Scrubber
10	9-100-5107	E-clip, Stainless Steel
2	9-100-5132	O-ring, Timer
3	9-100-7011	Shield, Bearing
6	9-100-7170	Hose Clamp

KEY	ITEM #	DESCRIPTION	MFG. #
A	3260-G021	LADDER GUARD, SET OF 2	G21
B	3264-02	KIT, REBUILD POLARIS 380	9-100-9030
C	3263-91	KIT, TUNE-UP POLARIS 380/360	9-100-9010

HOSE ASSEMBLY -All Models

SEE PG B-91
FOR BLACK MAX HOSE PARTS



KEY ITEM #	DESCRIPTION	MFG. #
38	CONNECTOR, UWF ASSY.	9-100-9001
39	FITTING, WALL - UNIVERSAL	6-500-00
40	SCREEN, FILTER UWF	6-504-00
41	O-RING	6-505-00
42	VALVE, PRESSURE RELIEF (BLACK)	9-100-9002
43	DISCONNECT, QUICK UWF	D29
44	NUT, FEED HOSE	D15
45	HOSE, ADAPTER - 8 1/2 INCH	D1
46	SWIVEL, BALL BEARING	D20
47	FLOAT, FEED HOSE	D10
48	HOSE, FEED 10', NO FLOATS	D45

KEY ITEM #	DESCRIPTION	MFG. #
49	LEADER HOSE, 10, NO FLOATS	D50
51	VALVE, BACK-UP CURRENT SINCE '97	G52
53	RESTRICTOR KIT (BLUE & RED DISC)	10-108-00
54	CASE KIT	G54
55	MECHANISM	G53
56	RESTRICTOR DISCS RED & BLUE	10-112-00
57	COLLAR, RETAINER RING	G57
58	O-RING KIT	G58
*	REPLACE NLA MECHANISM REP W/3260-G052	E60
*	COMPLETE HOSE WITHOUT BACK-UP VALVE	G5
*	O-RING KIT	G58

* NOT SHOWN